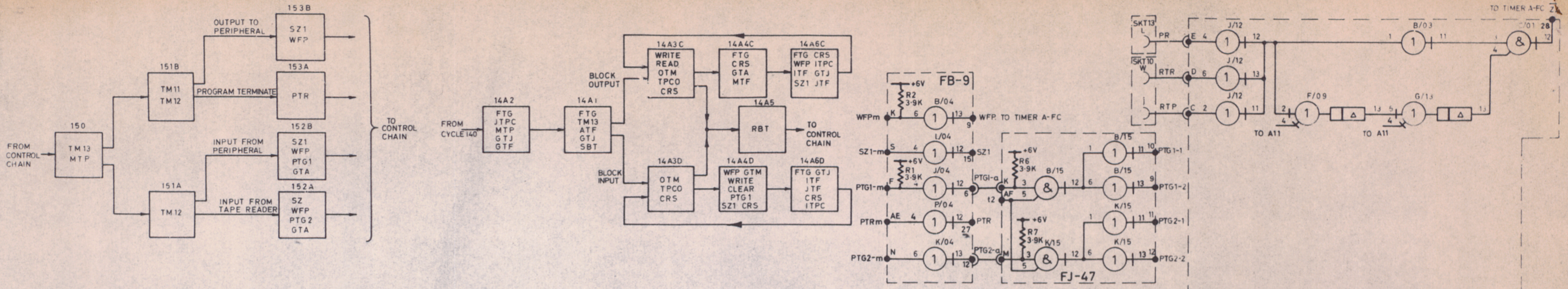
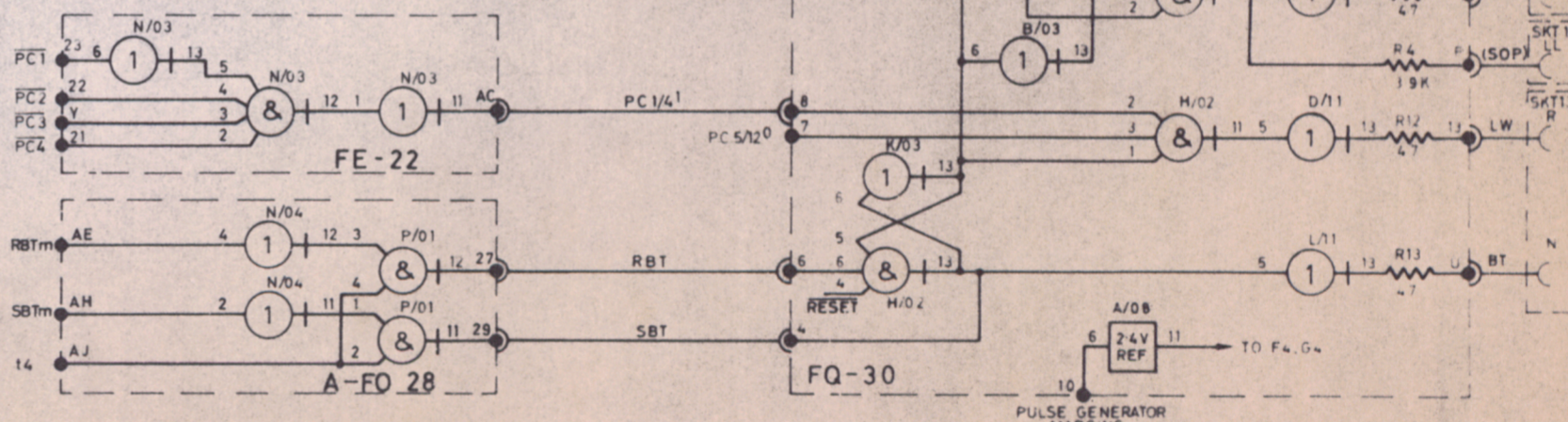
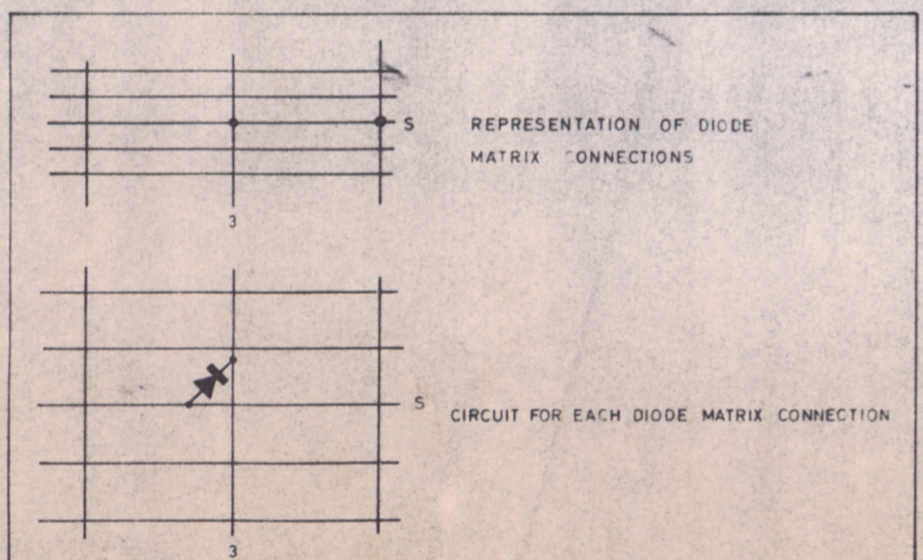
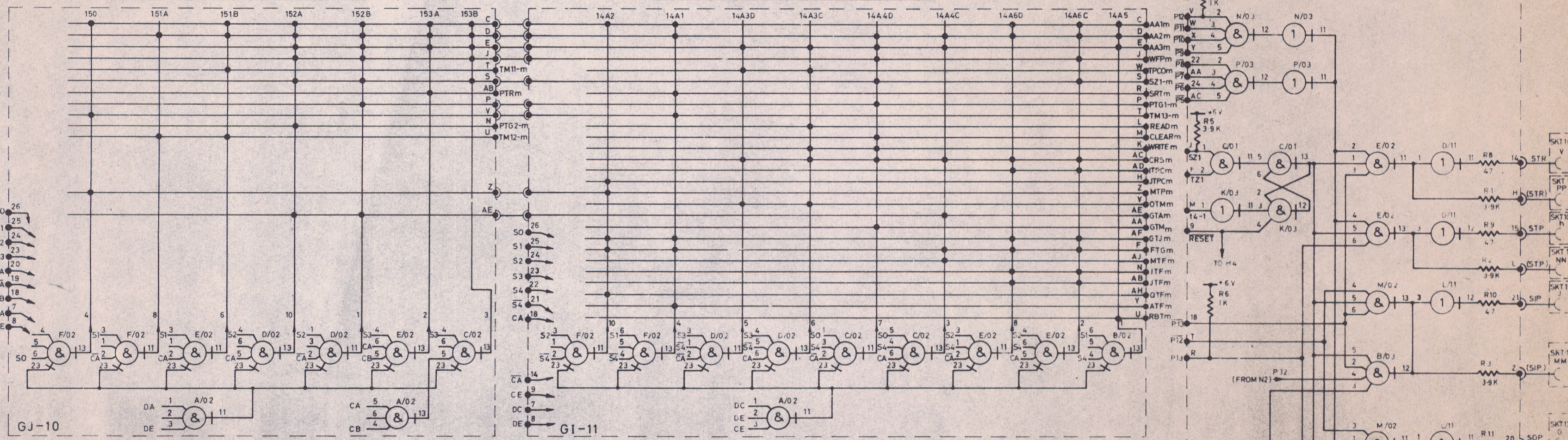


USED ON A 7201



FUNCTION 15 CONTROL MATRIX

FUNCTION 14A CONTROL MATRIX



TO BE READ IN CONJUNCTION WITH 322 A 7191

TITLE
920 B COMPUTER INPUT/OUTPUT OVERALL LOGIC
 SHEET 2

A13

LATEST M1 INCORPORATED, M1 2998

ISSUE No.	1	MATERIAL	FINISH
ALT. No.	1681	ELLIOTT BROTHERS (LONDON) LTD	
DATE	4/30/66	TOLERANCES DECIMAL FRACTIONAL ANGULAR DIMENSIONS UNLESS OTHERWISE STATED	
INITIALS	S.N.	TITLE 920 B COMPUTER INPUT/OUTPUT OVERALL LOGIC	
PARTS LIST No.	DRAWN S.NIBLETT	CHECKED B.D.	APPROVED DATE
		SHEET 2	
		DRAWING No. 322 D 7952	